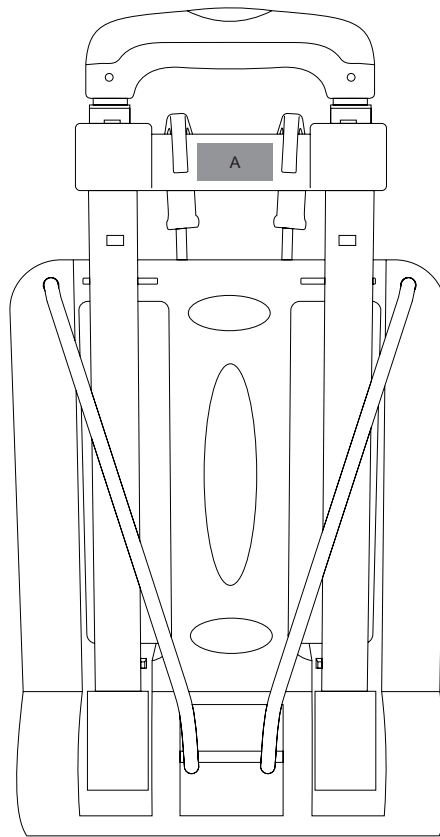


MAX BRANDING SIZE

P2500



A:PAD2 - 40mm(w) x 20mm(h) - MAX 1 colour