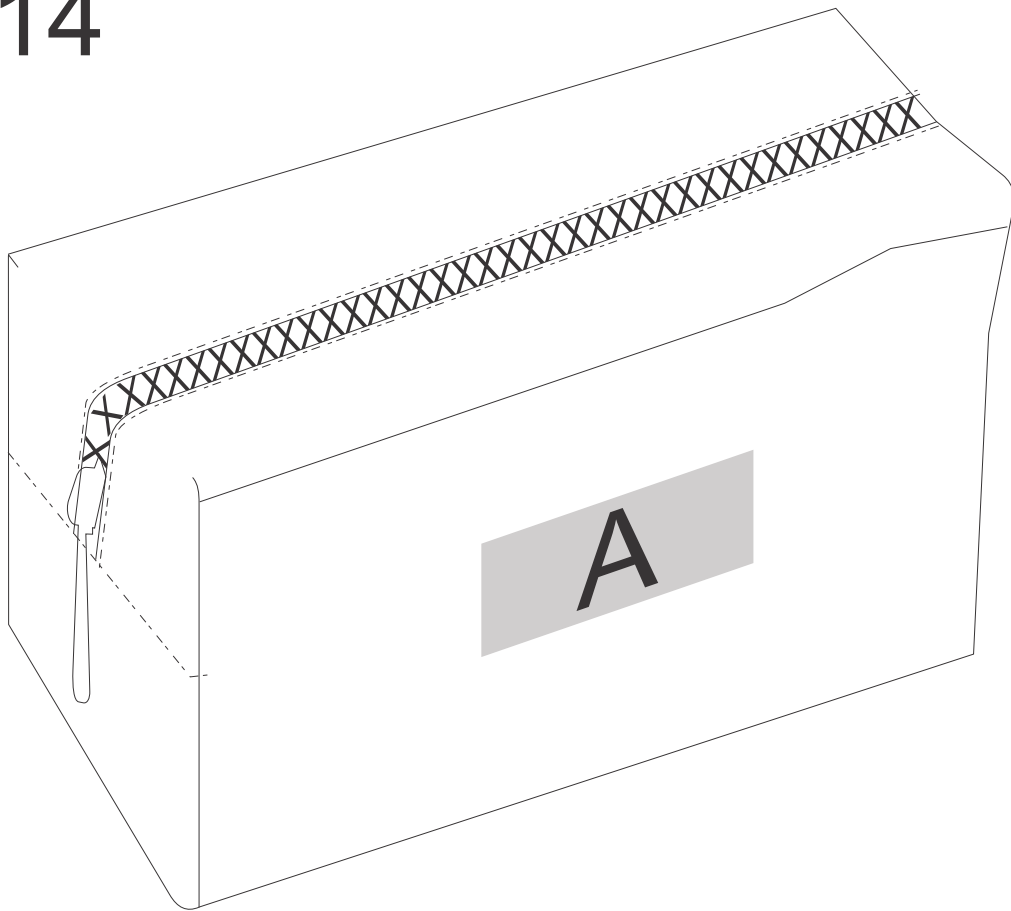


MAX BRANDING SIZE

ND014



A: SILK2 - 60mm(w) x 25mm(h) - Max 4 colour